

THIS DRAWING IS UNPUBLISHED.

RELEASED FOR PUBLICATION

2000

© COPYRIGHT 2000

ALL RIGHTS RESERVED.

LOC
A1

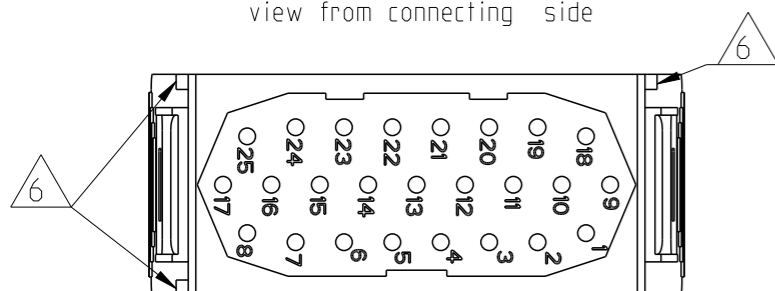
DIST

REVISIONS

P	LTR	DESCRIPTION	DATE	DWN	APVD
	C	ECR-15-007656	05JUN2015	GSK	JB

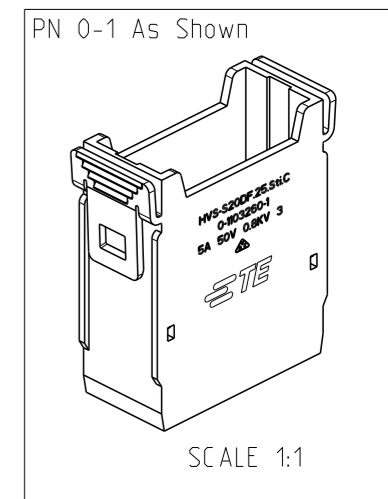
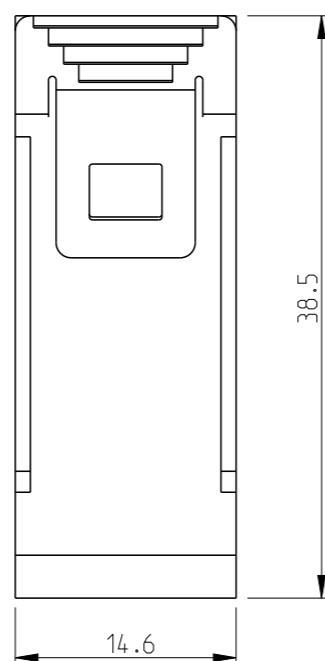
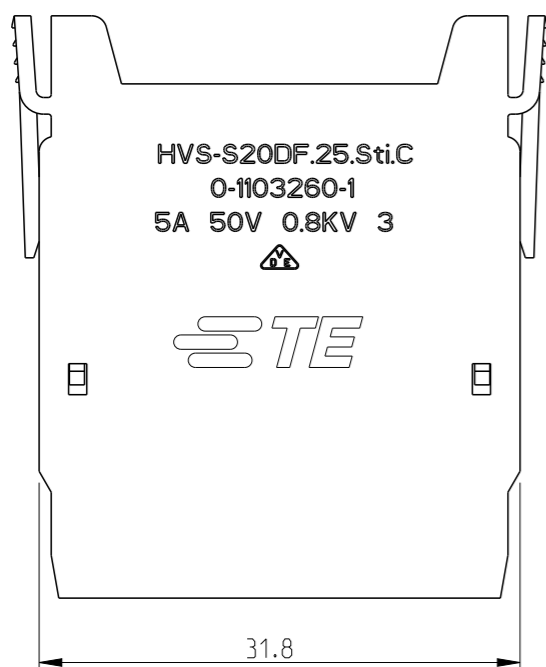
PN 0-1 As Shown

Contact arrangement
view from connecting side

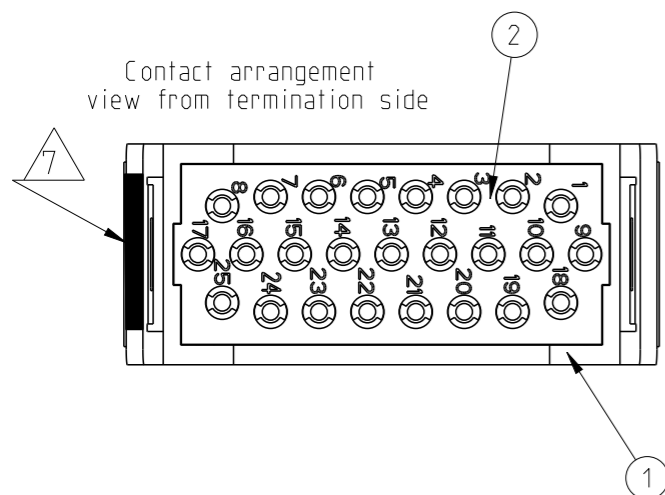


NOTES

- SUITABLE CRIMP CONTACTS: SERIES S20DF
CATALOG: 889745
OUTER DIMENSIONS OF INSULATION: MAX. Ø1.6mm
- SUITABLE MODULE FIXING FRAME: SERIES HVS SIZE 3 TO 8
CUSTOMER DRAWING: 1103250
- SUITABLE INSERTION TOOL:
CUSTOMER DRAWING: 1102855
- SUITABLE EXTRACTION TOOL:
CUSTOMER DRAWING: 1102855
- STANDARDS:
DIN EN 61984; DIN EN 60664-1
- POLARIZATION RIBS
- MARKING OF POLARIZATION ACCORDING TO MARKING OF MODULE FRAME
- PACKAGING:
10 SETS IN A CARTON, PRE-MOUNTED



Contact arrangement
view from termination side



QTY	DESCRIPTION	MATERIAL	COLOR	ITEM NO
1	MALE INSERT	PBT-GF10	LIGHT GREY	HVS-S20DF-25.STI.C
1	CONTACT INSERT	PBT-GF15	LIGHT GREY	HVS-S20DF-25

THIS DRAWING IS A CONTROLLED DOCUMENT.

DWN 17.02.2006 SCHNEIDER
CHK 17.02.2006 A.GAST
APVD 17.02.2007 T.SCHNURPFIL

TE Connectivity

NAME
MALE INSERT ASSY
HVS-S20DF-25.STI.C

PRODUCT SPEC 108-74079
APPLICATION SPEC 114-74081

SIZE A3 CAGE CODE 00779 DRAWING NO C-1103260 RESTRICTED TO

MATERIAL FINISH

CUSTOMER DRAWING SCALE 2:1 SHEET 1 OF 1 REV C